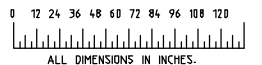
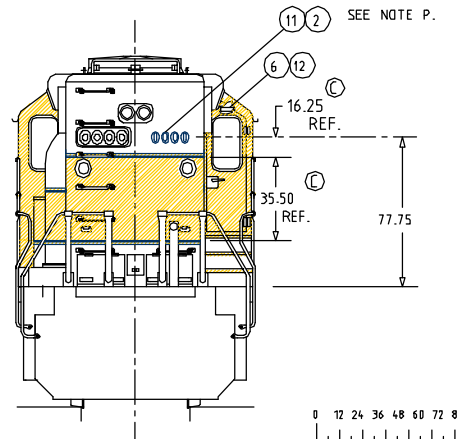
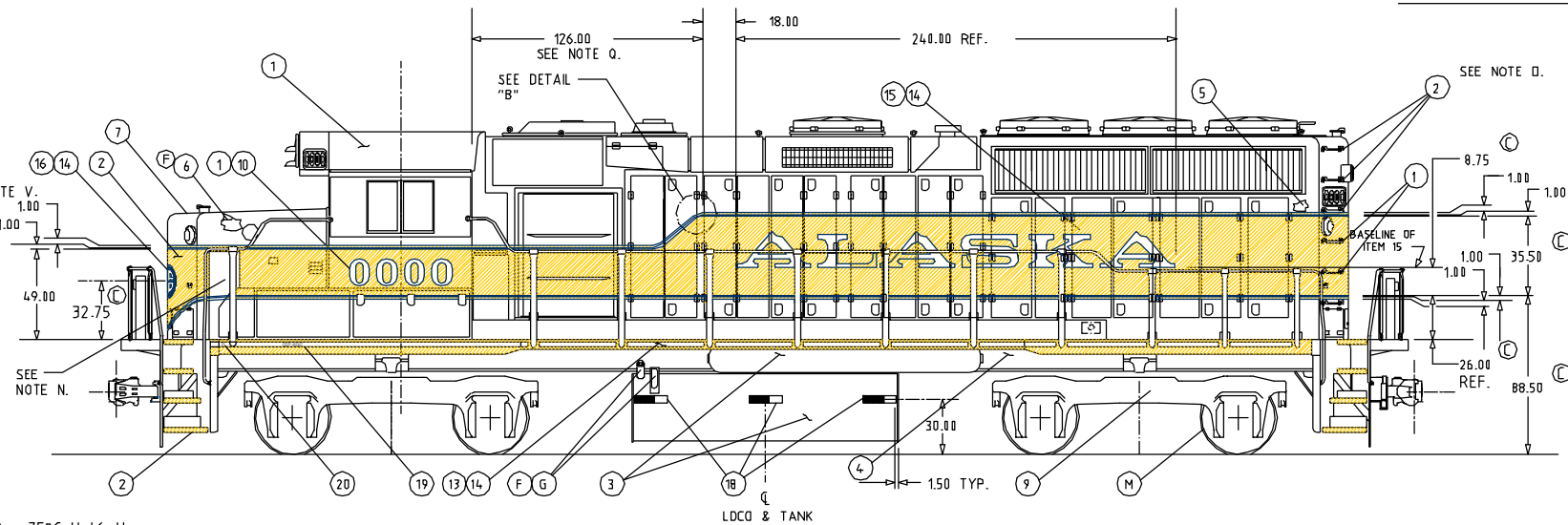
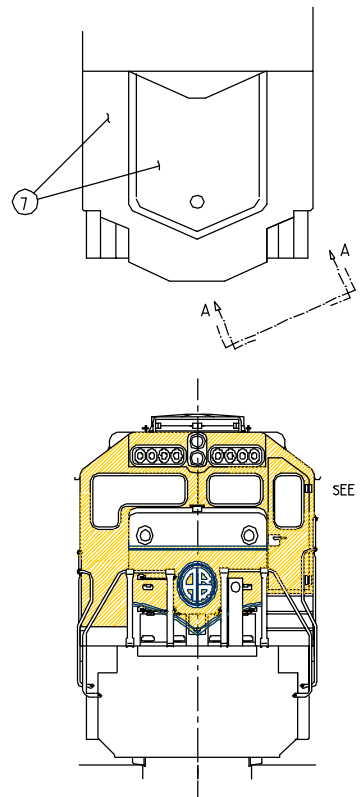
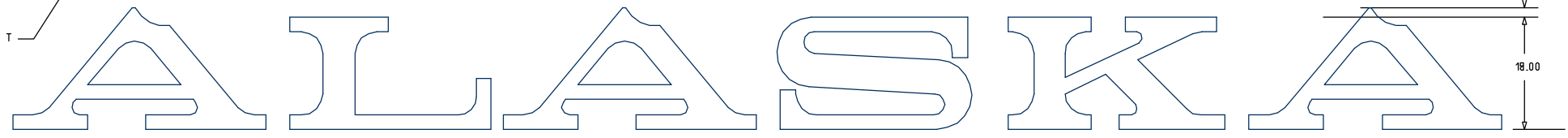
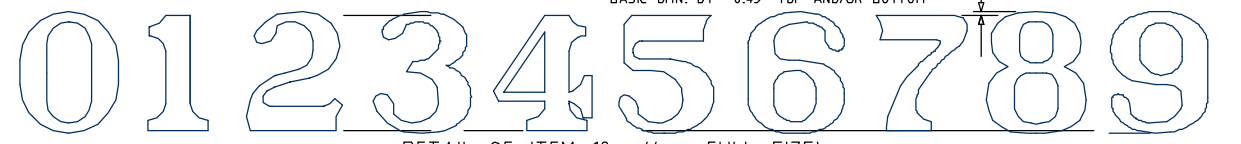
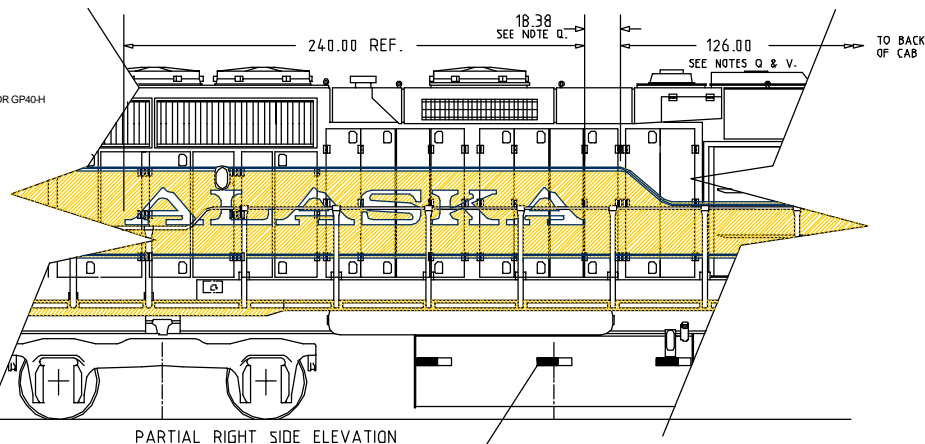
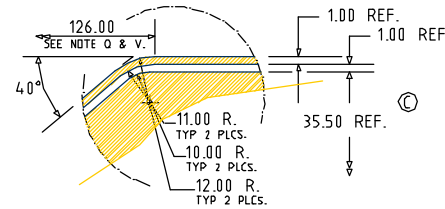
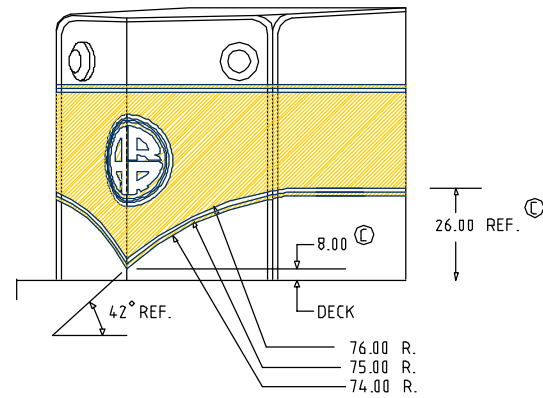


**NOTES:**

- A. PAINT CARBODY WITH IT. 1 (BLUE) AND STRIPE WITH IT. 2 (YELLOW) AS SHOWN IN ELEVATION VIEWS.
- B. PAINT INTERIOR OF CAB AND SHORT HOOD WITH IT. 6 (BEIGE).
- C. PAINT INTERIOR OF LONG AND ENGINE ETC. WITH IT. 5 (SUEDE GRAY).
- D. PAINT ALL GRAB IRONS, CUT LEVERS AND HANDRAILS WITH IT. 2 (YELLOW) EXCEPT:  
 1. GRAB IRONS LOCATED ENTIRELY WITHIN THE YELLOW STRIPE ARE TO BE PAINTED WITH IT. 1 (BLUE).  
 2. GRAB IRON FEET MAY BE PAINTED SAME AS BACKGROUND COLOR.
- E. PAINT ALL STANCHIONS WITH IT. 1 (BLUE).
- F. PAINT FUEL FILLER SPOUTS & SIGHT GLASS HOUSINGS W/ IT. 6 (RED).
- G. PAINT STRIPES ACROSS SIGHT GLASS TO INDICATE FULL LEVELS: BLUE WINTER, YELLOW SUMMER.
- H. PAINT UNDERFRAME (BEHIND SIDE SILLS) WITH IT. 4 (BLACK).
- I. PAINT RESERVOIRS AND FUEL TANK WITH IT. 3 (POLY BLACK).
- J. PAINT TRUCKS WITH IT. 9 (ALUMINUM) DO NOT PAINT WHEELS.
- K. PAINT WALKWAYS, STEP TREADS, FRONT AND REAR PLATFORMS AND ROOF OF LONG AND SHORT HOODS WITH IT. 7 (NON-SKID), BREAK LINE ON ROOF IS END OF FLAT SURFACE (START OF CORNER RADIUS).
- L. PAINT MU RECEPTACLES WITH IT. 2 (YELLOW).
- M. DO NOT PAINT WHEELS, COUPLERS, CHAINS OR NON-FERROUS PARTS.
- N. PAINT HAND BRAKE AND ALCOVE WITH IT. 1 (BLUE) - NO YELLOW STRIPING IN THIS AREA.
- P. IT. 11 (SIX INCH NUMERALS) REQUIRED ONLY WHERE NO ILLUMINATED NUMBER BOARDS ARE INSTALLED.
- Q. ADJUST THESE DIMENSIONS AS REQUIRED UP TO 3" IN EITHER DIRECTION TO AVOID INTERFERENCE WITH CARBODY DETAILS. FOR GP40H SEE ALSO NOTE V.
- R. CENTER IT. 10 (ROAD NUMBER) ON 25" YELLOW STRIPE.
- S. PAINT FRONT FACE OF STEP TREADS WITH IT. 2 (YELLOW).
- T. ITEM 18 TO BE ORIENTED WITH RED TO LEFT AS SEEN FROM SIDE OF LOCO.
- U. USE IT. 14 TO SEAL EDGES OF IT. 16 UNLESS CLEARCOAT IS APPLIED OVER IT. 16.
- V. ON GP40-H ONLY CHANGE RIGHT SIDE DIMENSIONS AS FOLLOWS:  
 STRIPE TRANSITION: FROM 126.00 (F6, F7) TO 111.00 (15.00 FORWARD)  
 LETTERING LOCATION: FROM 18.38 (F5) TO -2.62 (NOTE MINUS MEANS BEYOND ZERO, 36.00 TOTAL)  
 TOLERANCE 1"



IT. DESCRIPTION	REMARKS	QUANTITY/UNIT
1 BLUE PAINT	IMRON DUPONT 63203	7 GAL.
2 YELLOW PAINT	IMRON DUPONT 54701	5 GAL.
3 BLACK PAINT	IMRON DUPONT 24926	5 GAL.
4 BLACK PAINT	ALKYD ENAMEL	2 GAL.
5 SUEDE GRAY PAINT	ALKYD ENAMEL DULUX LF25W34P	10 GAL.
6 BEIGE PAINT	ALKYD ENAMEL DULUX LFQ4G34P	12 GAL.
7 BLACK NON-SKID	FLAT FINISH	2 GAL.
8 RED PAINT	ALKED ENAMEL - SEYMOUR of SYCAMORE #620-1411 or SHERWIN WILLIAMS #B59511	1/2 PT.
9 ALUMINUM PAINT	ENAMEL	4 GAL.
10 NUMERALS, 15",	EMD 9555057	2 SETS
11 NUMERALS, 6",	EMD 9555058	SEE NOTE P.
12 NUMERALS, 3",	EMD 9335724 OR APPROVED ALTERNATE	1 SET
13 DIAMOND GRADE SCOTCH-LITE (3-M CORP.) - 3" WIDE YELLOW		98 FT.
14 CLEAR LAQUER		A/R
15 "ALASKA" LETTERING	18" NOMINAL HEIGHT	2 EA.
16 "ARR" 24" DIA. ROUNDEL	DECAL SUPPLIED BY ARR	1 EA.
17 CLEAR COAT	ALL EXTERIOR CARBODY SURFACES PAINTED - DOES NOT INCLUDE FUEL TANK AND TRUCKS.	15 GAL.
18 DIAMOND GRADE SCOTCH-LITE (3-M 981-32ES) - 4" WIDE RED/WHITE		9 FT.
19 MODEL DESIGNATION	2.5" BLACK BLOCK LETTERS GP40-2	2 EA.
20. LETTER "F"	2.5" BLACK BLOCK LETTERS	2 EA.

U:\ACAD\ARRStandards\Misc\Railcars\coran\CADFILES\GPPaint.dwg 750C-Half.ctb

<b>A</b>	RELEASED FOR 3009 - 3011 J.D. CORAN 12/09/99
<b>B</b>	ADDED STEP TREADS NOTE K; ADDED NOTE S; ADDED IT.17; MADE VARIOUS PICTORIAL AND SPELLING CORRECTIONS J.D. CORAN 12/10/99
<b>C</b>	ADDED ITS. 18 & 19 ADDED NOTES T+U. REMOVED NOTE AT B2 26.00 @H5+C9 WAS 24.00 8.00 @H5 WAS 6.00 35.50 @ G7, C11+C9 WAS 43.25 16.25 @C11 WAS 10.50 8.75 @C9 WAS 15.25 88.50 @C9 WAS 86.50 32.75 @B3 WAS 31.75 RELEASED FOR 3013-15 J.D. CORAN 05/06/01
<b>D</b>	MOVED FILE TO "CORAN\CADFILES" J.D. CORAN 06/19/01
<b>E</b>	ADDED NOTE V. ADDED GP40H TO NOTE Q. ADDED REF TO NOTE V @ F5, F6, H7. ADDED 18.62 DMN @ F5 J.D. CORAN 07/20/01
<b>F</b>	INTERIOR OF SHORT HOOD @C3 WAS IT 5 NOTES B & C CHANGED TO SUIT. COLOR NOS. ADDED TO ITS 1-3,5&6 NOTE Q READ "GP40P" J.D. CORAN 03/22/02
<b>G</b>	ITEM 5 WAS DULUX LF25W349; ITEM 6 WAS DULUX LFQ4G34P J.D. CORAN 11/08/02
<b>H</b>	ADDED DETAIL OF IT 10. J.D. CORAN 6/16/03
<b>J</b>	CHANGED BOM ITEMS 12,3,8,19 & ADDED 20. D. ELLISON 3/3/2008

**ALASKA RAILROAD**  
 MOTIVE POWER AND EQUIPMENT DEPARTMENT, ANCHORAGE

PAINTING AND STYLING  
 GP TYPE LOCOS

DRWN: J.D. CORAN 11/24/99